

SWIFT

1.2 MILD HYBRID

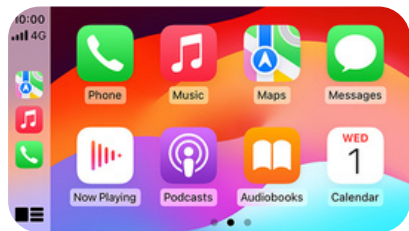


HYBRID

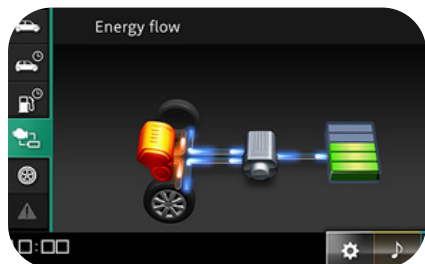




9-INCH DISPLAY AUDIO SYSTEM



ANDROID AUTO/APPLE CAR PLAY COMPATIBLE



VEHICLE LINKAGE INFORMATION DISPLAY

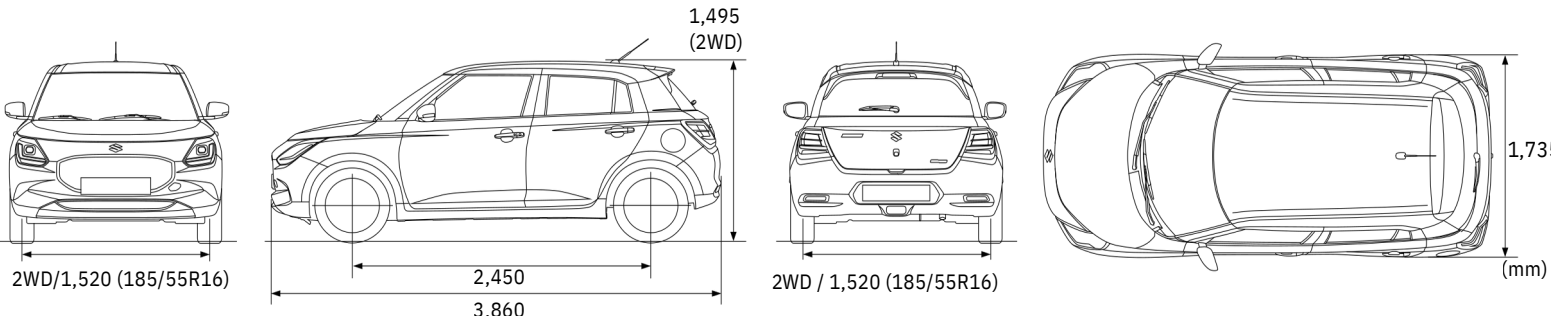


Maximum output PS (kW) / rpm 82 (61) / 5,700

Maximum torque Nm (lbft) / rpm 112 (83) / 4,500

THE SWIFT'S **NEW 1.2-LITRE PETROL** ENGINE COMBINES OUTSTANDING FUEL EFFICIENCY WITH IMPRESSIVE LOW-END TORQUE FOR QUICK, RESPONSIVE ACCELERATION. IT IS ALSO EQUIPPED WITH A NUMBER OF ADVANCED FEATURES THAT HELP SUPPRESS EMISSIONS

Dimensions



Major Specifications

Number of doors		5		
Engine		Petrol		
		12V-ISG (3Ah)		
Drive system		2WD		
DIMENSIONS				
Overall length	mm	3,860		
Overall width	mm	1,735		
Overall height	mm	1,495		
Wheelbase	mm	2,450		
Tread		175/65R15	mm	1,530
	Front	185/55R16	mm	1,520
	Rear	175/65R15	mm	1,530
		185/55R16	mm	1,520
Minimum turning radius	m	4.8		
Minimum ground clearance	mm	115		
CAPACITIES				
Seating capacity	persons	5		
Luggage capacity	Max.volume (manufacturer data)	litres	980	
	Rear seatback folded	litres	589	
	Rear seatback raised	litres	265	
Fuel tank capacity	litres	37		
ENGINE				
Type	Z12E			
Number of cylinders	3			
Number of valves	12			
Piston displacement	cm3	1,197		
Bore x stroke	mm	74.0×92.8		
Compression ratio	kW/rpm	13.9		
Maximum output	Nm/rpm	60.9 / 5,700		
Maximum torque	111.8 / 4,500			
Fuel distribution	Multipoint injection			
TRANSMISSION				
Type	5MT	CVT		
Gear ratio	1st	3.545	2.500 ~ 0.392	
	2nd	1.905		
	3rd	1.240		
	4th	0.906		
	5th	0.697		
	Reverse	3.273	2.895	
Final gear ratio	4.294	5.643		
CHASSIS				
Steering	Rack & Pinion			
Brakes	Front	Ventilated disc		
	Rear	Drum, leading and trailing		
Suspensions	Front	MacPherson strut with coil spring		
	Rear	Torsion beam with coil spring		
Tyres	175/65R15, 185/55R16			
WEIGHTS				
Kerb weight	kg	919-949	957-958	
Gross vehicle weight	kg	1,365	1,389	
PERFORMANCE				
Maximum speed	km/h	165	170	
0-100 km/h	sec	12.5	11.9	
ENVIRONMENTAL PERFORMANCE				
Fuel consumption (WLTC)*	LOW phase	litres/100km	4.6-4.9	5.1-5.3
	MEDIUM phase	litres/100km	4.0-4.3	4.3-4.5
	HIGH phase	litres/100km	3.8-4.0	4.0-4.3
	EXTRA-HIGH phase	litres/100km	5.0-5.2	5.4-5.6
	Combined	litres/100km	4.4-4.6	4.7-4.9
CO2 emissions (WLTC)*	g/km	98-103	105-110	



Play
SWIFT



ΟΙ ΤΙΜΕΣ ΚΑΘΩΣ ΚΑΙ ΟΙ ΠΡΟΔΙΑΓΡΑΦΕΣ ΜΠΟΡΕΙ ΝΑ ΑΛΛΑΞΟΥΝ ΧΩΡΙΣ ΠΡΟΕΙΔΟΠΟΙΗΣΗ ΓΙΑ ΤΗΝ ΚΥΠΡΙΑΚΗ ΑΓΟΡΑ
PRICES & SPECIFICATION MAY CHANGE WITHOUT ANY NOTICE FOR CYPRUS MARKET

All figures are manufacture's data and may vary for each market.

The specifications are subject to change without prior notice.

The fuel consumption and CO₂ values shown in —(*) were measured according to the Worldwide Harmonised Light Vehicle Test Procedure (WLTP) and are intended to be compared with other vehicles tested under the same technical procedure.

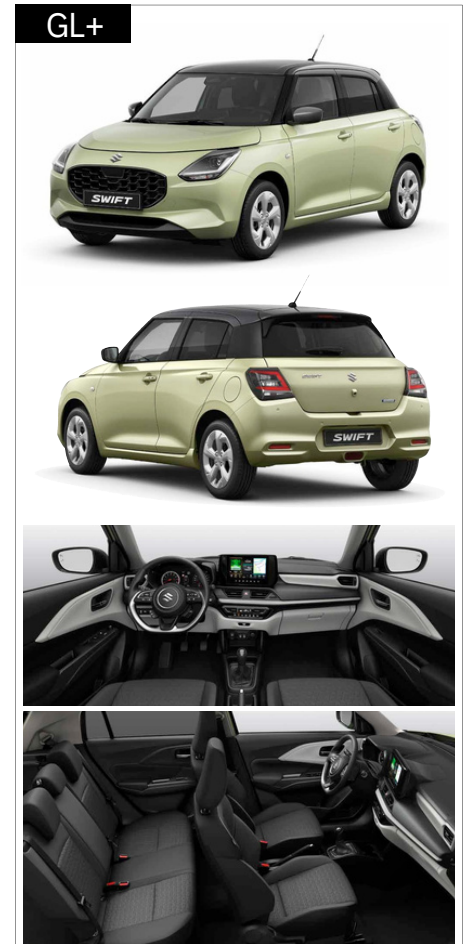
These values may differ from actual driving results as they vary depend on many factors such as accessories fitted to the vehicle, weather and road conditions, driving styles, and vehicle load.

SAFETY

- ABS WITH EBD & BRAKE ASSIST FUNCTION
- BLIND SPOT MONITOR
- CHILDPROOF REAR DOOR LOCKS
- CURTAIN AIRBAGS
- DRIVER & FRONT PASSENGER AIRBAGS
- DUAL SENSOR BRAKE SUPPORT
- E-CALL
- ESP® (ELECTRONIC STABILITY PROGRAM) *
- HILL HOLD CONTROL
- ISOFIX CHILD SEAT ANCHORAGES X 2
- LANE DEPARTURE PREVENTION
- LANE DEPARTURE WARNING
- LANE KEEPING ASSIST
- REAR CROSS TRAFFIC ALERT
- TRAFFIC SIGN RECOGNITION
- TYRE PRESSURE INDICATOR
- WEAVING ALERT
- REMOTE CENTRAL DOOR LOCKING

STYLING

- 16-INCH ALLOY WHEELS (PAINTED FINISH)
- 3-SPOKE LEATHER COVERED STEERING WHEEL
- BLACK COLOURED A & B PILLARS
- BODY COLOUR EXTERIOR DOOR HANDLES
- BODY COLOUR EXTERIOR DOOR MIRROR COVERS
- C-PILLAR TRIM MOULDING
- CHROME HAND BRAKE RELEASE BUTTON
- CHROME INTERIOR DOOR HANDLES
- FABRIC SEAT UPHOLSTERY
- LOWER FRONT GRILLE - BLACK
- MATERIAL DOOR TRIM ORNAMENT
- PAINTED INSTRUMENT PANEL ORNAMENT
- REAR PRIVACY GLASS
- REAR UPPER SPOILER
- SIDE UNDER SPOILERS
- UPPER FRONT GRILLE - BLACK

**GL+ TRIM AVAILABLE ONLY**

[HTTPS://WWW.SUZUKICYPRUS.COM.CY/](https://www.suzukicyprus.com.cy/)



@SUZUKI CYPRUS

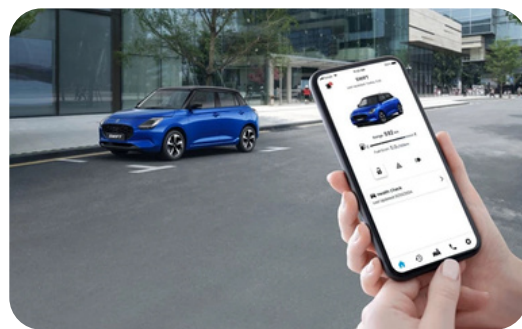


ΟΙ ΤΙΜΕΣ ΚΑΘΩΣ ΚΑΙ ΟΙ ΠΡΟΔΙΑΓΡΑΦΕΣ
ΜΠΟΡΕΙ ΝΑ ΑΛΛΑΞΟΥΝ ΧΩΡΙΣ
ΠΡΟΕΙΔΟΠΟΙΗΣΗ ΓΙΑ ΤΗΝ ΚΥΠΡΙΑΚΗ ΑΓΟΡΑ
PRICES & SPECIFICATION MAY CHANGE
WITHOUT ANY NOTICE FOR CYPRUS MARKET



COMFORT & CONVENIENCE

- ADAPTIVE CRUISE CONTROL STOP & GO
- CLOCK
- DRIVER SEAT HEIGHT ADJUSTER
- ENGINE AUTO STOP START SYSTEM
- LCD INFO DISPLAY
- KEYLESS ENTRY AND START
- POWER STEERING
- REAR PARKING CAMERA
- REAR PARKING SENSORS
- REAR SEAT WITH 60:40 SPLIT FOLDING
- SUZUKI CONNECT
- DAYTIME RUNNING LIGHTS - LED (INTEGRATED IN HEADLAMPS)
- TILT-ADJUSTABLE STEERING WHEEL

**SUZUKI CONNECT APP****ENTERTAINMENT & COMMUNICATION**

- 12V ACCESSORY SOCKET
- 9-INCH INFOTAINMENT DISPLAY
- BLUETOOTH INTEGRATED INTO AUDIO UNIT
- DAB DIGITAL RADIO
- NAVIGATION SYSTEM
- STEERING WHEEL MOUNTED AUDIO CONTROLS
- USB (TYPE A & TYPE C) AND AUX CONNECTORS
- WIRELESS SMARTPHONE LINK WITH ANDROID AUTO AND APPLE CARPLAY
- X 2 TWEETERS
- X 4 SPEAKERS

**VEHICLE DIMENSIONS**

- LUGGAGE CAPACITY (REAR SEATBACK FOLDED) - 589LITRES
- LUGGAGE CAPACITY (REAR SEATBACK RAISED) - 265LITRES
- OVERALL HEIGHT - 1,495MM
- OVERALL LENGTH - 3,860MM
- OVERALL WIDTH - 1,735MM



ΟΙ ΤΙΜΕΣ ΚΑΘΩΣ ΚΑΙ ΟΙ ΠΡΟΔΙΑΓΡΑΦΕΣ
ΜΠΟΡΕΙ ΝΑ ΑΛΛΑΞΟΥΝ ΧΩΡΙΣ
ΠΡΟΕΙΔΟΠΟΙΗΣΗ ΓΙΑ ΤΗΝ ΚΥΠΡΙΑΚΗ ΑΓΟΡΑ
PRICES & SPECIFICATION MAY CHANGE
WITHOUT ANY NOTICE FOR CYPRUS MARKET



Exterior Colours

Dual-tone colours



Frontier Blue Pearl Metallic × Super Black Pearl



Burning Red Pearl Metallic × Super Black Pearl



Cool Yellow Metallic × Mineral Gray Metallic



Pure White Pearl × Mineral Gray Metallic

Mono-tone colours



Frontier Blue Pearl Metallic



Burning Red Pearl Metallic



Cool Yellow Metallic



Flame Orange Pearl Metallic



Caravan Ivory Pearl Metallic



Pure White Pearl



Premium Silver Metallic



Mineral Gray Metallic



Super Black Pearl

Extra Accessories



[HTTPS://WWW.SUZUKICYPRUS.COM.CY/](https://www.suzukicyprus.com.cy/)



@SUZUKI CYPRUS



SUZUKI

Οι πληροφορίες σε αυτό το φυλλάδιο δεν είναι δεσμευτικές και υπόκεινται σε τροποποιήσεις. Η Suzuki Motor Corporation διατηρεί το δικαίωμα να αλλάξει τις προδιαγραφές και τα χρώματα ανά πάσα στιγμή χωρίς προειδοποίηση. Το παρόν φυλλάδιο δεν αποτελεί προσφορά πώλησης οποιουδήποτε συγκεκριμένου οχήματος από την Α. Tricomitis Ltd. Παρακαλούμε επιβεβαιώστε τις ακριβείς προδιαγραφές και τη διαθεσιμότητα με την Α. Tricomitis Ltd.

The information in this brochure is not binding and is subject to alteration. Suzuki Motor Corporation reserves the right to change specifications and colours at any time without notice. This brochure does not constitute an offer of sale of any particular vehicle or specification by A. Tricomitis Ltd. Please confirm exact specifications and availability with A. Tricomitis Ltd.



TEL:+357 24819700

BY A TRICOMITIS GROUP OF COMPANIES